

Non-Polarized (Bi-Polarized) Axial Aluminum Electrolytic Capacitor – JAD

FEATURES

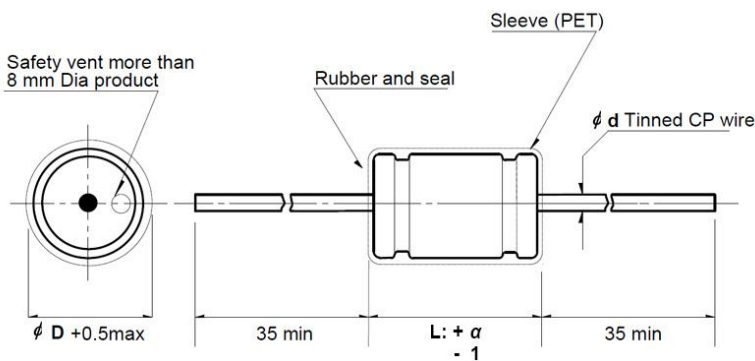
- Low Dissipation Factor
- Specially produced for Cross-Over Networks with high fidelity audio system
- High-quality crossover non-polar aluminum electrolytic capacitors
- Product mainly used: audio converters and dividers (partials), Audio amp, automotive electronics products, speaker.

SPECIFICATIONS

Operating Temperature Range (°C)	-40°C ~ +105°C
Capacitance Tolerance	± 10% (K) at 1KHZ
Voltage Range	50V, 100V.DC
Leakage Current	MAX. 0.03CV + 3 μA After 5 minutes application of rated working voltage
Load Life	After 1,000 hours application of rated voltage at 105 ± 2°C, capacitors meet the characteristics requirement listed at right.
	(a) Capacitance change: Within ± 25% of initial
	(b) Tan δ : 200% or less of initial specified
	(c) Leakage current : Install specified value or less
MAX Dissipation Factor	MAX 5% at 1KHz



DIMENSIONS (mm)



Lead Diameter:

§ D	8	10	13	16	18	22
§ d	0.6	0.6	0.6	0.8	0.8	0.8
α	0.8	1.5	2.0	2.0	2.0	2.0

Note: The sleeve (PET) color of the product differs from batch to batch, so there will be slight color difference. Thank you.

DIMENSIONS: Diameter (DØ) x Length (L) m/m

V.DC	50 V	100 V	V.DC	50 V	100 V
μf	D x L	D x L	μf	D x L	D x L
1	10x24	10x24	20	13x27	13x27
1.5	10x24	10x24	22	13x27	13x27
2.2	10x24	10x24	33	13x32	13x32
3.3	10x24	10x24	47	13x32	13x32
4.7	10x24	10x24	56	13x32	16x34
6.8	10x24	13x27	68	16x34	16x38
8.2	13x27	13x27	100	16x34	16x38
10	13x27	13x27	150	16x42	18x44
15	13x27	13x27			

Please visit our website to get more update data, those data & specification are subject to change without notice.